

Hysteresis Mode

Hysteresis Mode (NO Type)

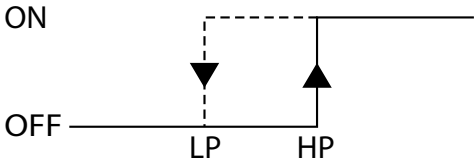


Fig - 1

Hysteresis Mode (NC Type)

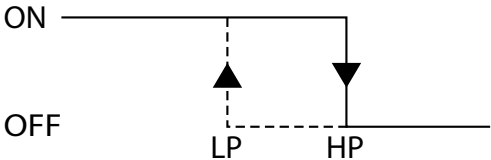
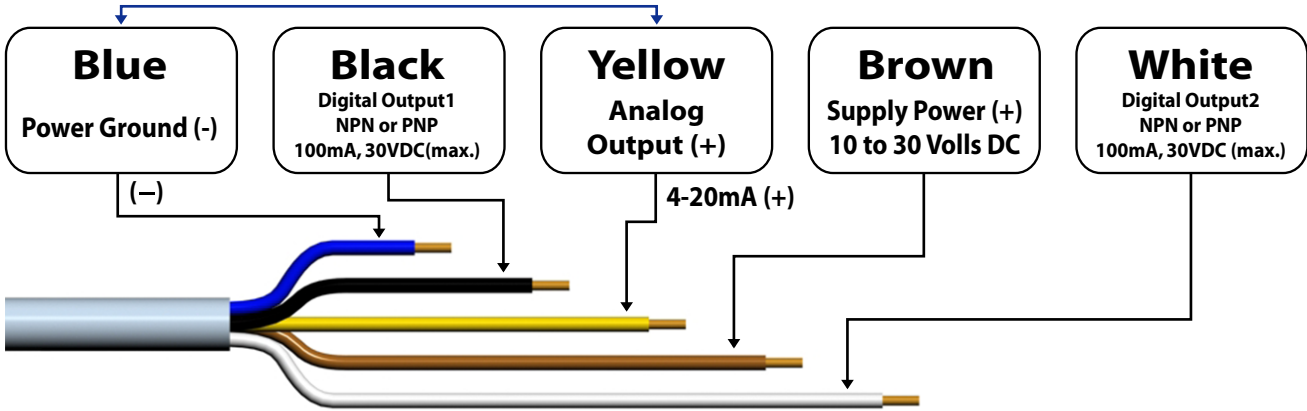


Fig - 2

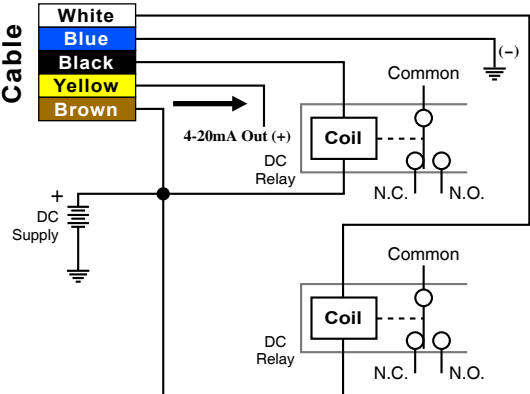
Wiring Definition



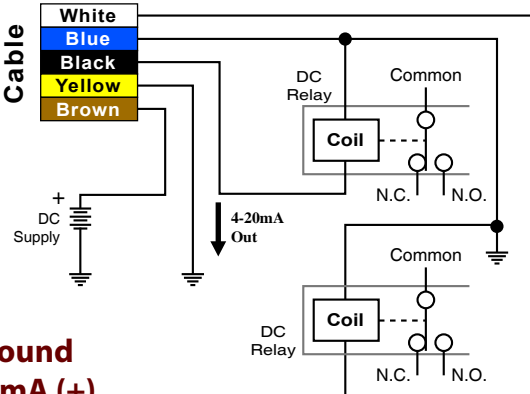
Analog Output (4-20mA) Blue must be connected with Power Ground Yellow. (Blue + Yellow).

Wiring Diagram

1. NPN Mode



2. PNP Mode



**Blue (-) Ground
Yellow 4-20 mA (+)**