



# MULTI-FUNCTION PADDLE WHEEL FLOW METER

## TKS/TKP/TKM SERIES

The **truflo**® Paddlewheel Flow Meter provides High Accuracy at Low Cost and is ideal for plastic piping. The **truflo**® consists of a rugged true union industrial design that is suitable for corrosive applications with virtually **NO pressure drop**. The TKS series provides a 1 amp selectable output Relay that can be used as an alarm for high or low flow rate conditions.

### Perfect for Pump Protection.



Large LED Display

Rugged Design

High Impact Polycarbonate Cover



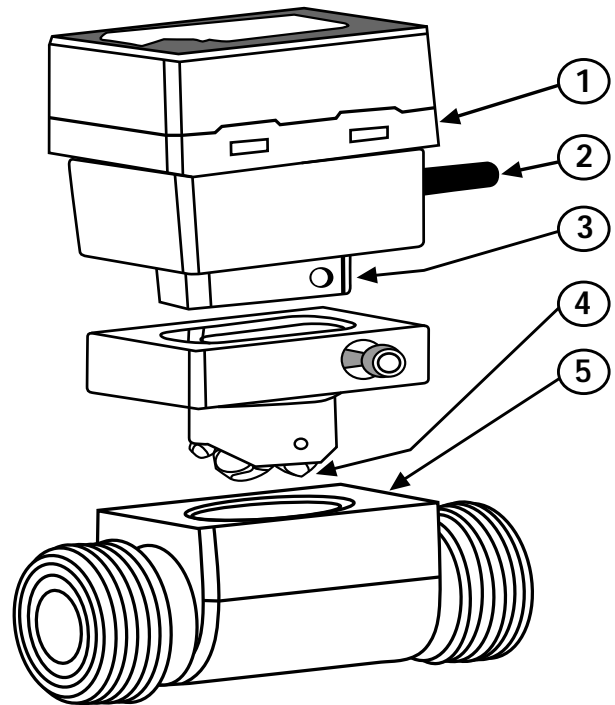
Sch 80 True Union Design  
(Socket or Threaded)

### Features

- High Accuracy  
Less than  $\pm 1.0\%$  of Full Scale
- Unit of Flow Measurement is Selectable  
(Liter/Gallon/Kilo-liter)
- Corrosion Resistant Materials  
PVC/PP/316SS
- Low Cost Visual Indication
- Easy Installation – No Mounting Kits
- High Flow Range  
(.3m/s - 10m/s) (.98 ft/s - 32.8 ft/s)
- Easy to Program
- Compact Design
- Large Bright LED Digital Display
- Horizontal or Vertical Installation
- Size Range 1/2" – 4"
- Low Pressure Drop
- (4-20 mA) -(0-5 VDC)-(Pulse)-Output Signal
- NEMA 4X Enclosure
- Suitable for Corrosive Environments
- Password Protected Security
- True - Union Design 1/2" - 2" (Flanged 3" - 4")

## Parts TK Series

- ① Flow Controller
- ② Lead Wire
- ③ Hall Sensor
- ④ Paddle Wheel
- ⑤ Body (PVC, PP, 316 SST)



## Product Selection

### EXAMPLE :

TKP — 25 — A — PVC  
 (1) (2) (3) (4)

### SERIES

TKM = Paddle Wheel Flow Meter with Transmitter  
 -4 -20mA + (Flow Rate Pulse + Totalizer Pulse)  
 TKP = Paddle Wheel Flow Meter & Flow Totalizer  
 + (Flow Rate Pulse + Flow Totalizer Pulse)  
 TKS = Paddle Wheel Flow Meter with Relay Output  
 + (Flow Rate Pulse)

### PIPE SIZE

15 = (1/2") / 20 = (3/4")  
 25 = (1") / 40 = (1 1/2")  
 50 = (2") / 80 = (3") 100 = (4")

### COMMUNICATION OR TRANSMITTER

Non = Without Communication  
 RS = TKP Series with RS-485 MODBUS Selectable  
 A = TKM Series with Transmitter (4- 20mA) + Pulse

### BODY MATERIAL

PVC = PVC  
 PP = Polypropylene  
 ST = 316 SST

### CONNECTION METHOD

STD = Wire Lead (3m) - Other Lengths Available

## General Data

SPECIFICATION	DESCRIPTION
<b>Fluid</b>	Water or Chemicals Liquid - Viscosity Range: .5-20 centistokes
<b>Accuracy</b>	> ± 1.0% of F.S. @ 20°C (68°F) - Repeatability ± .5% of Full Scale
<b>Max Flow Velocity</b>	10 m/s max - (32.8 ft/s max)
<b>Min Flow</b>	0.3 m/s min. - (.98 ft/s min)
<b>Operating press</b>	150 psi
<b>Turndown</b>	10:1
<b>Response time</b>	Real Time
<b>Material of Construction</b>	<b>Paddle:</b> Tefzel <b>Body:</b> PVC/PP/316 <b>Shaft:</b> Zirconium Ceramic <b>Seals:</b> EPDM/FPM
<b>Operating Temperature</b>	PVC < 60°C (140°F) PP < 80°C (176°F) 316 SST < 120°C (148°F)
<b>Electronics</b>	+ 50°C (122F)
<b>Protection Class</b>	IP66 NEMA 4X
<b>Approval</b>	CSA CE RoHS