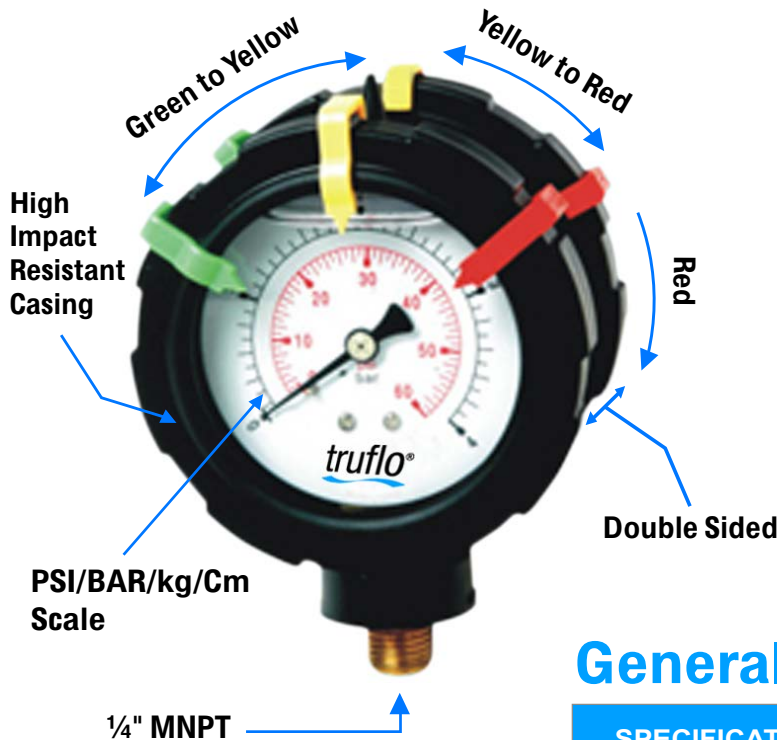




# 2x Series Double Sided Plastic Pressure Gauge

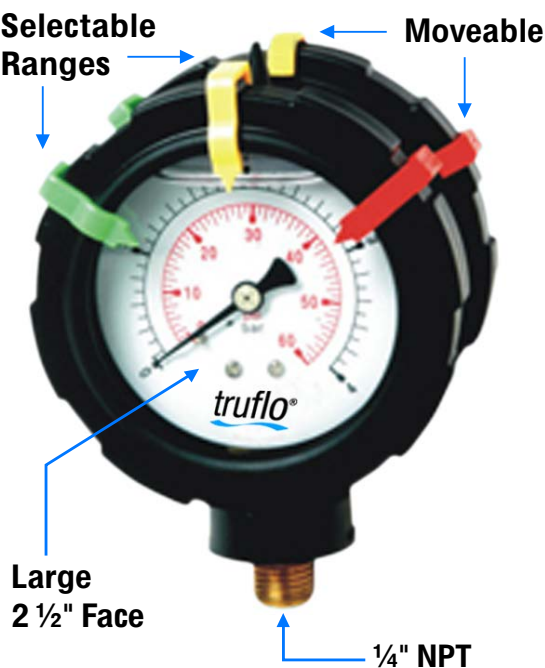
## Industry's First Plastic Gauge - No Filling Required 'Plug & Play'



### Features

- Double Sided
- Fit & Forget
- Suitable for Corrosive Environments
- All Plastic & Gauge (Filled)
- Heavy Duty Design
- Completely Corrosion Resistant
- Extra Large Colored Display
- Highest Accuracy in Industry 1.5%
- Factory Pre-Filled Glycerin
- No Filling Required
- Visual Pressure Ranges
- Simple to Install
- Perfect Mate for Plastic Isolators

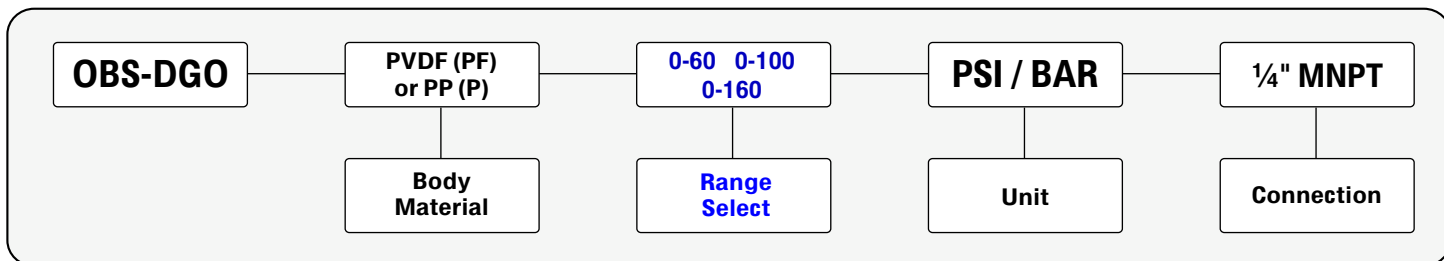
### General Data



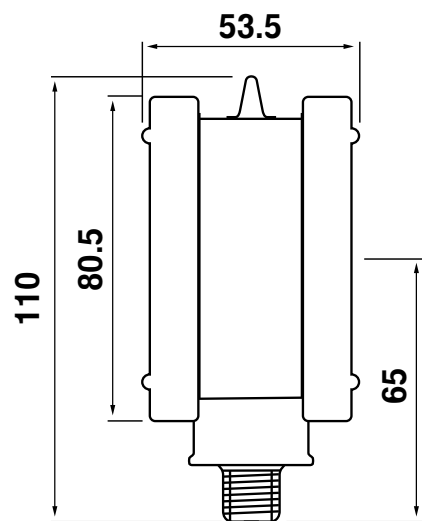
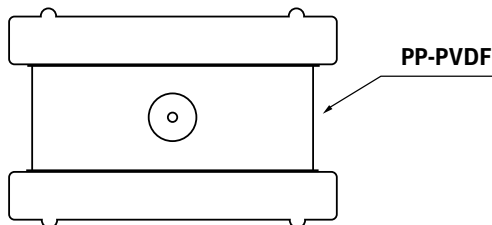
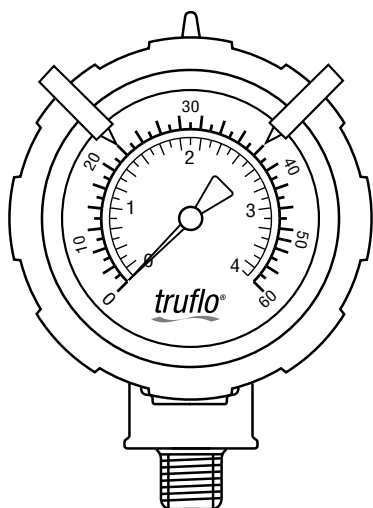
SPECIFICATION	DESCRIPTION
Dial Diameter	Large 2 1/2" (Big Numbers-Clear Markers)
Mounting	Direct Mount, Bottom Connection MNPT 1/4"
Housing	PVDF or Polypro
Lens	High Impact Polycarbonate - Double Sided
Dial	Red & Black Scale White Background, dial arc 270°
Measuring Principle	Bourdon Tube-SS316-Brass
Movement	SS316-Brass (Non Wetted)
Gauge	Red, Yellow, Green Moveable Plastic Markers-Pressure Range Pointers Fitted on the Bezel
Connection	1/4" MNPT
Filling	Options: Glycerin (Standard) Silicon Filled (Optional)
Accuracy	±1.5% F.S.
Operating temperature	Max. Working Temp. PVDF-195 F, PP-170°F
Pressure Range	Standard range <b>0-60 / 0-100 / 0-160</b> PSI (Second Scale: Bar) Other units available, e.g., bar, MPa, etc.



# HOW TO ORDER



## OBS-DGO Series



## Installation

Do not tighten by grasping the case of the gauge as this may cause damage.

1. Before installing a pressure gauge, consideration should be given to temperature, humidity, vibration, pulsation, shock and other climatic and ambient conditions of the service application, and to the possible need for protective attachments and / or special installation requirements.
2. The user shall ensure that the correct gauge has been selected with the correct range and construction.

