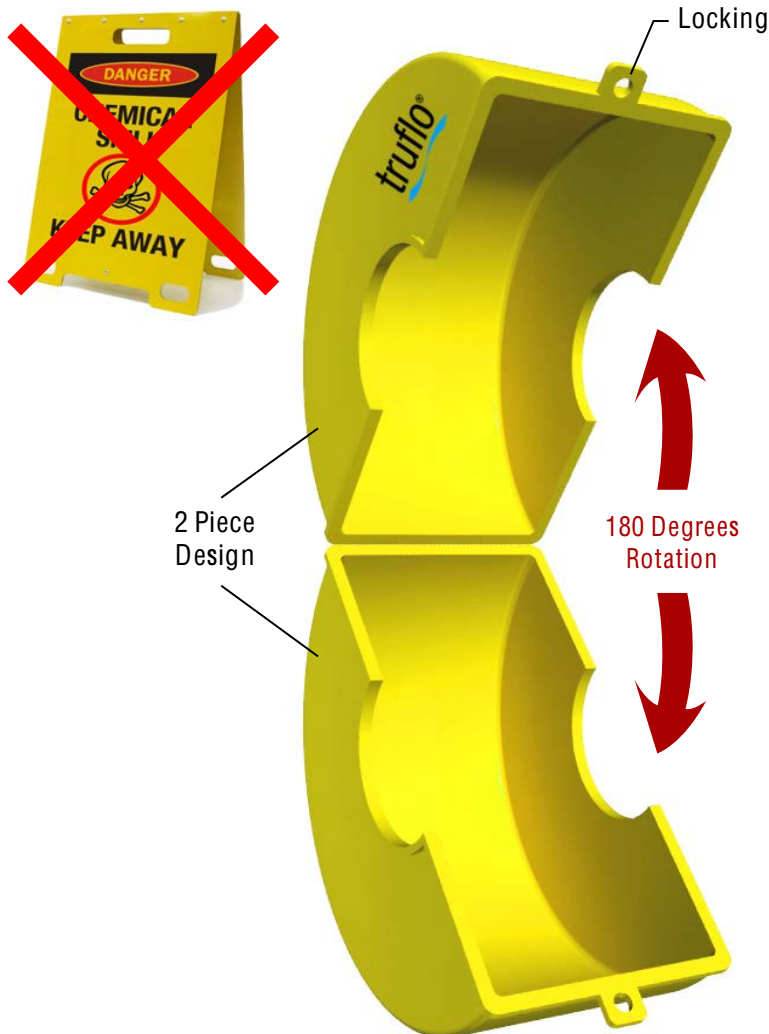


LFS **LEAK FREAK** SAFETY FLANGE CLAM LEAK CONTAINMENT Hazardous Liquid Spray + Leak Protection

The LFS Series Safety Clams is made from Solid Polypropylene, a lightweight All plastic material that resists temperature up to 90 C, and has excellent chemical resistance to Acids, Bases and Various solvents.



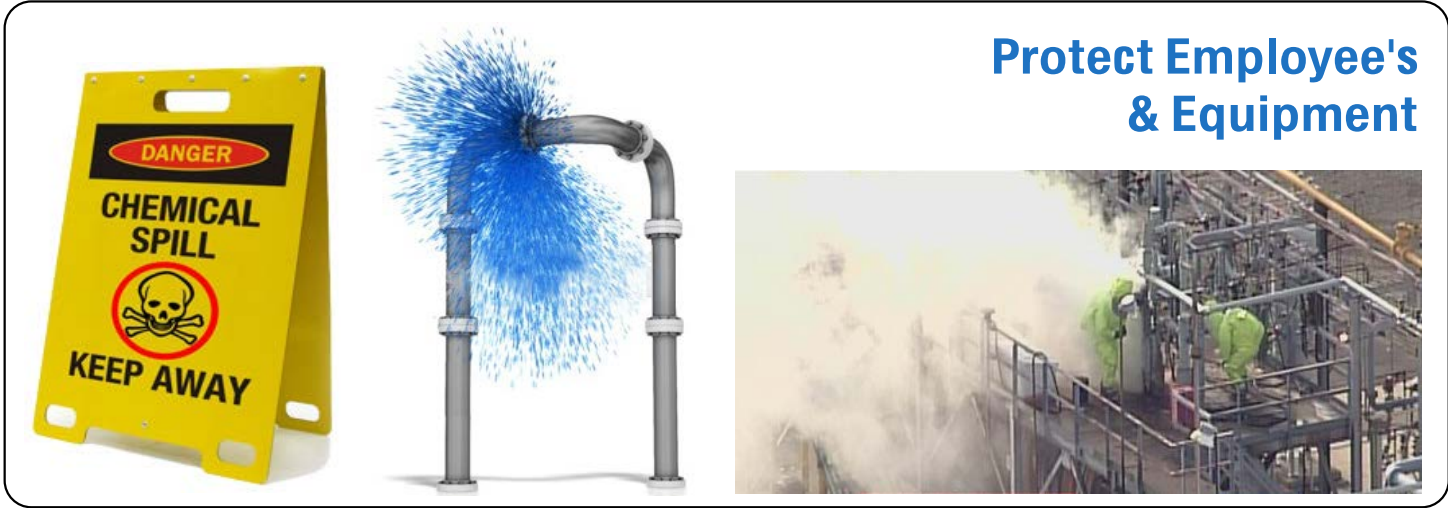
Features

- **PP Solid 2-Piece construction**
- **Completely Corrosion Resistant- Inside and Out**
- **Lightweight -Perfect for Plastic Piping Systems**
- **Readily Reusable**
- **Plug & Play-Not Tools Required**
- **No Down Time**
- **Clean Look ...All Yellow in Color**
- **Resists Chemical Attack**
- **Quick installation-Under 2 mins**
- **360 Directional Discharge Port**

They are designed to 'Fit and Forget' -quick and easy to assemble and install, just join the two halves of clamshell around the flange and snap in place. The LFS series are reusable, do not tear or rip, do not require lacing, and provide your piping system with a safe and secure means of preventing harmful 'Spray-Outs' without any down time.

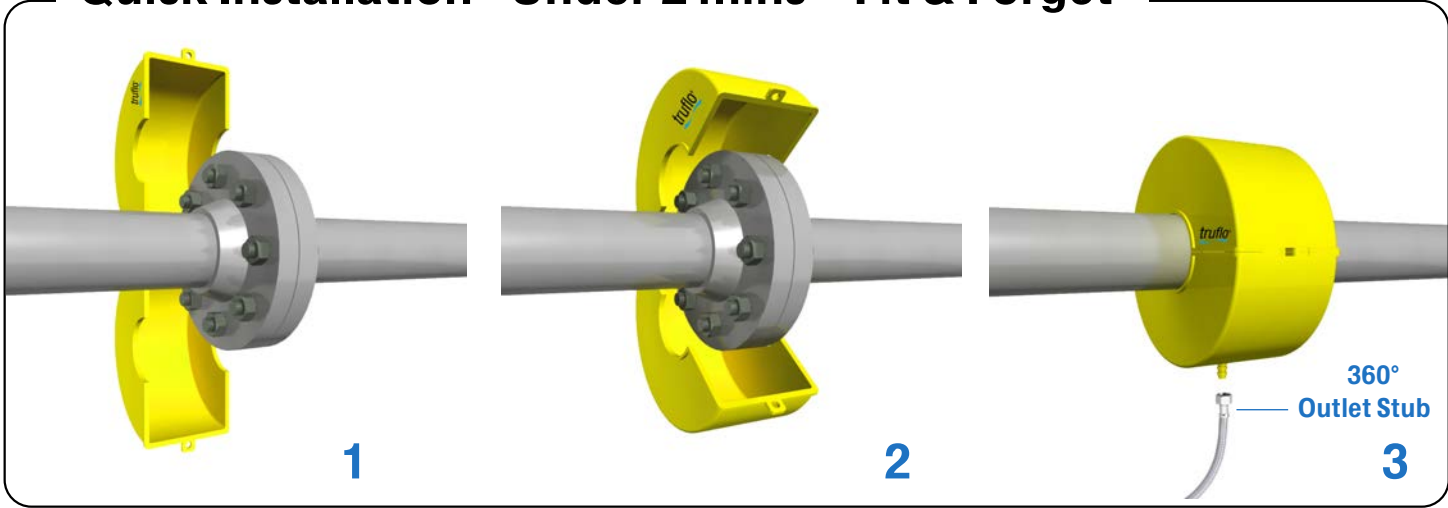
A 360 degree Outlet Stub Contain and Direct Leaking Liquid Safely provides directional conveyance of any liquid losses from the flanges. The LFS series Clamshells are a recommended addition to any piping system and should be considered in any site safety reviews.





Protect Employee's & Equipment

Quick Installation - Under 2 mins - 'Fit & Forget'



Dimension

Type	D	E	Ø nomin. Pipe	Ø Flange Diameter (mm)
LF005	120	83	½"	21,25
LF075	120	83	¾"	26,75
LF100	120	83	1"	33,50
LF115	175	85	1 ¼"	42,25
LF150	175	85	1 ½"	48,25
LF200	175	85	2"	60,-
LF215	205	106	2 ½"	75,-
LF300	205	106	3"	90,-

